

REVISIONS				
REV.	ECO. NO	DESCRIPTION	DATE	BY
A	101	ORIGINAL RELEASE	11/23/03	JFW
B	1037	UPDATE TO CURRENT CONFIG. AVAILABLE MTGS. ADDED.	05/20/2006	HT

PART NUMBER CODING

R _ E _ _ DHA _

NUMBER OF POSITIONS

MOUNTING STYLE

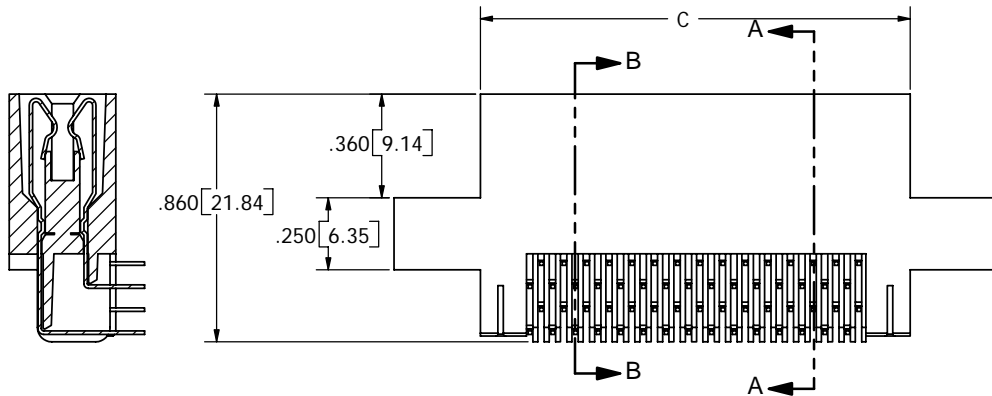
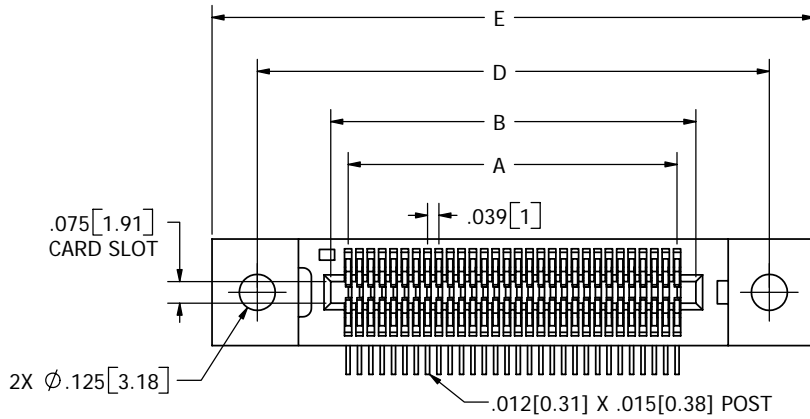
- D = .250" EARS, FLUSH MOUNTING
- N = NO MOUNTING EARS
- T = FLUSH MTG. WITH #4-40 THREADED INSERTS
- R = NO MOUNTING EARS, WITH BOARD LOCKS
- S = SIDE MOUNTING

PLATING

ALL PLATINGS HAVE .000050" NICKEL UNDERPLATE

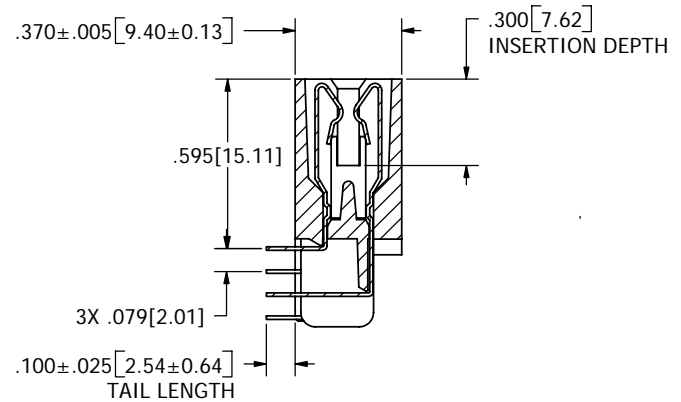
- | | |
|-------------------|--------------------------|
| B = .000010" GOLD | TERMINATION |
| C = .000030" GOLD | .000100" PURE TIN, MATTE |
| | .000100" PURE TIN, MATTE |

LEAD FREE



SECTION B-B
SCALE 3 : 1

R _ E _ _ DHAD



SECTION A-A
SCALE 3 : 1

NOTES:

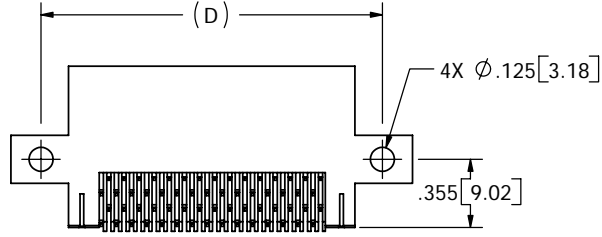
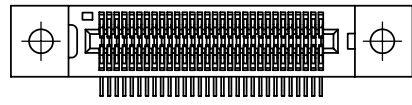
1. INSULATOR MATERIAL: PPS
2. CONTACT MATERIAL: PHOSPHOR BRONZE
3. PLATING: SEE PART NUMBER CODING
4. TEMPERATURE: -65 °C TO +125 °C
5. PROCESSING TEMP: 260 °C FOR 120 SECONDS MAX
6. UL FLAMMABILITY RATING: 94V-0
7. VOLTAGE RATING: 125 VDC MINIMUM AT SEA LEVEL.
8. CURRENT RATING: 1 AMP PER CONTACT PAIR
9. VOLTAGE DROP: 30 MILLI VOLT AT RATED CURRENT
10. INSULATION RESISTANCE: 1000 MEGA OHM
11. CONNECTOR IDENTIFICATION: THE PART SHALL BE MARKED WITH A PART NUMBER AND BARCODE
12. BOARD THICKNESS ACCOMMODATED: .062 ± .008"
13. BOARD INSERTION FORCE: 16 OZ MAX PER CONTACT PAIR WHEN USING A .062" TEST BLADE. INTERNAL INSPECTION TO BE PER SULLIN'S WORK INSTRUCTION W17.3-01.
14. BOARD WITHDRAWAL FORCE: 1 OUNCE MINIMUM PER CONTACT PAIR USING .062" PCB.



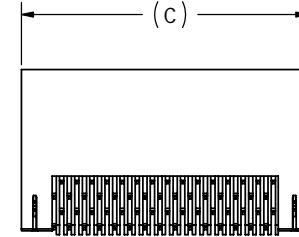
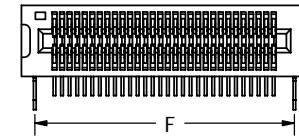
RoHS COMPLIANT

CUSTOMER COPY

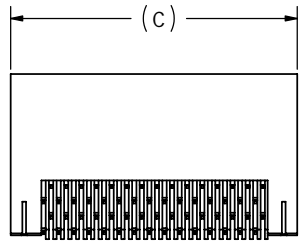
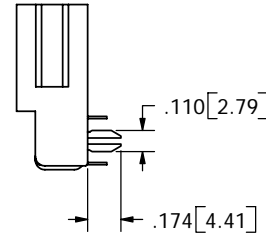
UNLESS OTHERWISE SPECIFIED: DIMENSIONS ARE IN INCHES[MM]		DATE	NAME	SULLINS ELECTRONICS DESCRIPTION EDGECARD, 1MM CC, RA PART NUMBER R _ E _ _ DHA _ SIZE C
TOLERANCES: ANGULAR: ± 1° .XX ± .02 [.508] .XXX ± .005 [.1270] .XXXX ± .0005 [.0127] PARENTHETICAL INFORMATION IS FOR REFERENCE ONLY		11/24/03	JFW	
INTERPRET DIMENSIONS AND GEOMETRIC TOLERANCING PER: ANSI Y14.5-1984		THE INFORMATION HEREIN CONTAINS PROPRIETARY INFORMATION OF SULLINS ELECTRONICS AND IS NOT TO BE REPRODUCED, USED OR DISCLOSED TO OTHERS FOR ANY PURPOSE EXCEPT AS SPECIFICALLY AUTHORIZED IN WRITING BY AN OFFICER OF SULLINS ELECTRONICS.		DWG. NO. C10093 REV B
		SCALE: 1:1		SHEET 1 OF 3



R_E__DHA

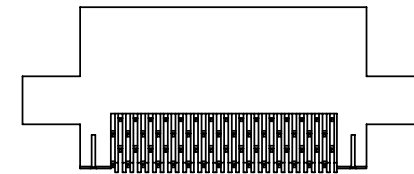
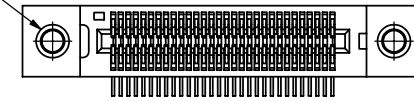


R_E__DHA

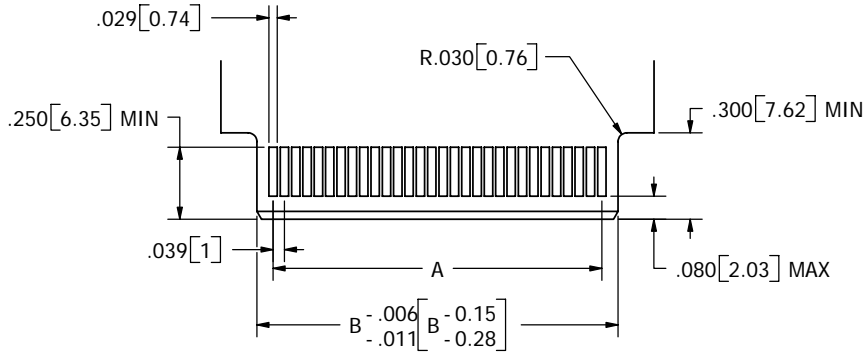


R_E__DHA

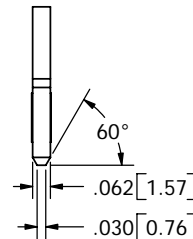
2X #4-40 THREADED INSERT



R_E__DHA



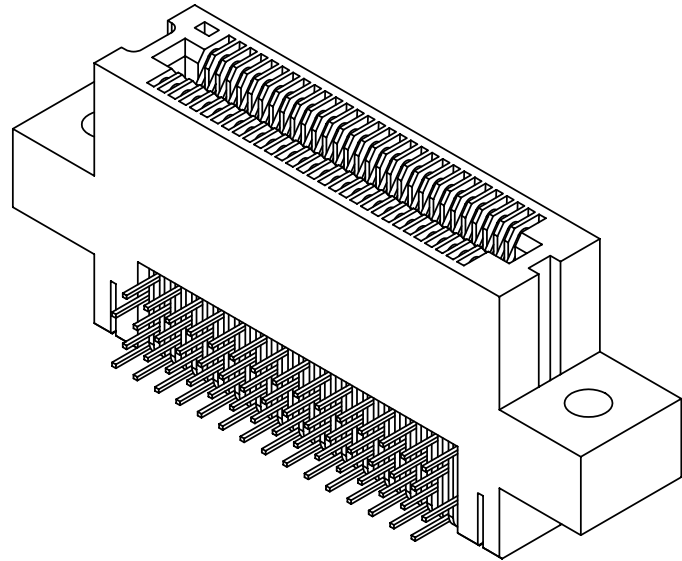
CARD LAYOUT



RoHS COMPLIANT

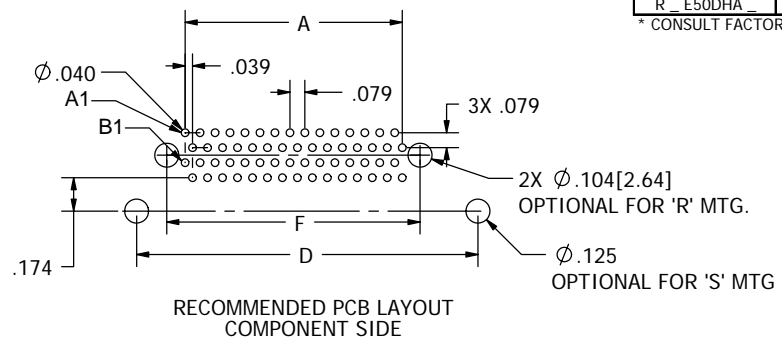
CUSTOMER COPY

UNLESS OTHERWISE SPECIFIED: DIMENSIONS ARE IN INCHES[MM]		DATE	NAME
TOLERANCES: ANGULAR: ± 1° .XX ± .02 [.508] .XXX ± .005 [.1270] .XXXX ± .0005 [.0127] PARENTHEICAL INFORMATION IS FOR REFERENCE ONLY		11/24/03	JFW
THE INFORMATION HEREIN CONTAINS PROPRIETARY INFORMATION OF SULLINS ELECTRONICS AND IS NOT TO BE REPRODUCED, USED OR DISCLOSED TO OTHERS FOR ANY PURPOSE EXCEPT AS SPECIFICALLY AUTHORIZED IN WRITING BY AN OFFICER OF SULLINS ELECTRONICS.		DESCRIPTION	
INTERPRET DIMENSIONS AND GEOMETRIC TOLERANCING PER: ANSI Y14.5-1984		EDGE CARD, 1MM CC, RA	
SIZE		DWG. NO.	REV
C		C10093	B
SCALE: 2:1		SHEET 2 OF 3	



PART NUMBER	POS.	A±.005[±0.13]		B±.005[±0.25]		C±.015[±0.38]		D±.010[±0.25]		E±.020[±0.51]		F±.010[±0.25]	
		INCHES	MM	INCHES	MM	INCHES	MM	INCHES	MM	INCHES	MM	INCHES	MM
R_E02DHA_*	2	0.039	1.00	0.170	4.32	0.389	9.89	0.675	17.15	0.989	25.13	0.289	7.35
R_E03DHA_*	3	0.079	2.00	0.210	5.32	0.429	10.89	0.715	18.15	1.029	26.13	0.329	8.35
R_E04DHA_*	4	0.118	3.00	0.249	6.32	0.468	11.89	0.754	19.15	1.068	27.13	0.368	9.35
R_E05DHA_	5	0.157	4.00	0.288	7.32	0.507	12.89	0.793	20.15	1.107	28.13	0.407	10.35
R_E06DHA_	6	0.197	5.00	0.328	8.32	0.547	13.89	0.833	21.15	1.147	29.13	0.447	11.35
R_E07DHA_	7	0.236	6.00	0.367	9.32	0.586	14.89	0.872	22.15	1.186	30.13	0.486	12.35
R_E08DHA_	8	0.276	7.00	0.407	10.32	0.626	15.89	0.912	23.15	1.226	31.13	0.526	13.35
R_E09DHA_	9	0.315	8.00	0.446	11.32	0.665	16.89	0.951	24.15	1.265	32.13	0.565	14.35
R_E10DHA_	10	0.354	9.00	0.485	12.32	0.704	17.89	0.990	25.15	1.304	33.13	0.604	15.35
R_E11DHA_	11	0.394	10.00	0.525	13.32	0.744	18.89	1.030	26.15	1.344	34.13	0.644	16.35
R_E12DHA_	12	0.433	11.00	0.564	14.32	0.783	19.89	1.069	27.15	1.383	35.13	0.683	17.35
R_E13DHA_	13	0.472	12.00	0.603	15.32	0.822	20.89	1.108	28.15	1.422	36.13	0.722	18.35
R_E14DHA_	14	0.512	13.00	0.643	16.32	0.862	21.89	1.148	29.15	1.462	37.13	0.762	19.35
R_E15DHA_	15	0.551	14.00	0.682	17.32	0.901	22.89	1.187	30.15	1.501	38.13	0.801	20.35
R_E16DHA_	16	0.591	15.00	0.722	18.32	0.941	23.89	1.227	31.15	1.541	39.13	0.841	21.35
R_E17DHA_	17	0.630	16.00	0.761	19.32	0.980	24.89	1.266	32.15	1.580	40.13	0.880	22.35
R_E18DHA_	18	0.669	17.00	0.800	20.32	1.019	25.89	1.305	33.15	1.619	41.13	0.919	23.35
R_E19DHA_	19	0.709	18.00	0.840	21.32	1.059	26.89	1.345	34.15	1.659	42.13	0.959	24.35
R_E20DHA_	20	0.748	19.00	0.879	22.32	1.098	27.89	1.384	35.15	1.698	43.13	0.998	25.35
R_E21DHA_	21	0.787	20.00	0.918	23.32	1.137	28.89	1.423	36.15	1.737	44.13	1.037	26.35
R_E22DHA_	22	0.827	21.00	0.958	24.32	1.177	29.89	1.463	37.15	1.777	45.13	1.077	27.35
R_E23DHA_	23	0.866	22.00	0.997	25.32	1.216	30.89	1.502	38.15	1.816	46.13	1.116	28.35
R_E24DHA_	24	0.906	23.00	1.037	26.32	1.256	31.89	1.542	39.15	1.856	47.13	1.156	29.35
R_E25DHA_	25	0.945	24.00	1.076	27.32	1.295	32.89	1.581	40.15	1.895	48.13	1.195	30.35
R_E26DHA_	26	0.984	25.00	1.115	28.32	1.334	33.89	1.620	41.15	1.934	49.13	1.234	31.35
R_E27DHA_	27	1.024	26.00	1.155	29.32	1.374	34.89	1.660	42.15	1.974	50.13	1.274	32.35
R_E28DHA_	28	1.063	27.00	1.194	30.32	1.413	35.89	1.699	43.15	2.013	51.13	1.313	33.35
R_E29DHA_	29	1.102	28.00	1.233	31.32	1.452	36.89	1.738	44.15	2.052	52.13	1.352	34.35
R_E30DHA_	30	1.142	29.00	1.273	32.32	1.492	37.89	1.778	45.15	2.092	53.13	1.392	35.35
R_E31DHA_	31	1.181	30.00	1.312	33.32	1.531	38.89	1.817	46.15	2.131	54.13	1.431	36.35
R_E32DHA_	32	1.220	31.00	1.351	34.32	1.570	39.89	1.856	47.15	2.170	55.13	1.470	37.35
R_E33DHA_	33	1.26	32.00	1.391	35.32	1.610	40.89	1.896	48.15	2.210	56.13	1.510	38.35
R_E34DHA_	34	1.299	33.00	1.430	36.32	1.649	41.89	1.935	49.15	2.249	57.13	1.549	39.35
R_E35DHA_	35	1.339	34.00	1.470	37.32	1.689	42.89	1.975	50.15	2.289	58.13	1.589	40.35
R_E36DHA_	36	1.378	35.00	1.509	38.32	1.728	43.89	2.014	51.15	2.328	59.13	1.628	41.35
R_E37DHA_	37	1.417	36.00	1.548	39.32	1.767	44.89	2.053	52.15	2.367	60.13	1.667	42.35
R_E38DHA_	38	1.457	37.00	1.588	40.32	1.807	45.89	2.093	53.15	2.407	61.13	1.707	43.35
R_E39DHA_	39	1.496	38.00	1.627	41.32	1.846	46.89	2.132	54.15	2.446	62.13	1.746	44.35
R_E40DHA_	40	1.535	39.00	1.666	42.32	1.885	47.89	2.171	55.15	2.485	63.13	1.785	45.35
R_E41DHA_	41	1.575	40.00	1.706	43.32	1.925	48.89	2.211	56.15	2.525	64.13	1.825	46.35
R_E42DHA_	42	1.614	41.00	1.745	44.32	1.964	49.89	2.250	57.15	2.564	65.13	1.864	47.35
R_E43DHA_	43	1.654	42.00	1.785	45.32	2.004	50.89	2.290	58.15	2.604	66.13	1.904	48.35
R_E44DHA_	44	1.693	43.00	1.824	46.32	2.043	51.89	2.329	59.15	2.643	67.13	1.943	49.35
R_E45DHA_	45	1.732	44.00	1.863	47.32	2.082	52.89	2.368	60.15	2.682	68.13	1.982	50.35
R_E46DHA_	46	1.772	45.00	1.903	48.32	2.122	53.89	2.408	61.15	2.722	69.13	2.022	51.35
R_E47DHA_	47	1.811	46.00	1.942	49.32	2.161	54.89	2.447	62.15	2.761	70.13	2.061	52.35
R_E48DHA_	48	1.85	47.00	1.981	50.32	2.200	55.89	2.486	63.15	2.800	71.13	2.100	53.35
R_E49DHA_	49	1.89	48.00	2.021	51.32	2.240	56.89	2.526	64.15	2.840	72.13	2.140	54.35
R_E50DHA_	50	1.929	49.00	2.060	52.32	2.279	57.89	2.565	65.15	2.879	73.13	2.179	55.35

* CONSULT FACTORY FOR AVAILABILITY



CUSTOMER COPY

UNLESS OTHERWISE SPECIFIED:
DIMENSIONS ARE IN INCHES[MM]

TOLERANCES:
ANGULAR: ± 1°
XX±.02 [508]
.XXX±.005 [1270]
XXXX±.0005 [0127]
PARENTHESES INFORMATION IS FOR REFERENCE ONLY

INTERPRET DIMENSIONS AND GEOMETRIC TOLERANCING PER: ANSI Y14.5-1984

DATE	11/24/03	NAME	JFW
THE INFORMATION HEREIN CONTAINS PROPRIETARY INFORMATION OF SULLINS ELECTRONICS AND IS NOT TO BE REPRODUCED, USED OR DISCLOSED TO OTHERS FOR ANY PURPOSE EXCEPT AS SPECIFICALLY AUTHORIZED IN WRITING BY AN OFFICER OF SULLINS ELECTRONICS.			
DRAWN		NAME	
DATE		NAME	
DESCRIPTION			
EDGE CARD, 1MM CC, RA			
PART NUMBER			
R_E__DHA_			
SIZE	DWG. NO.	REV	
C	C10093	B	
SCALE: 1:1		SHEET 3 OF 3	